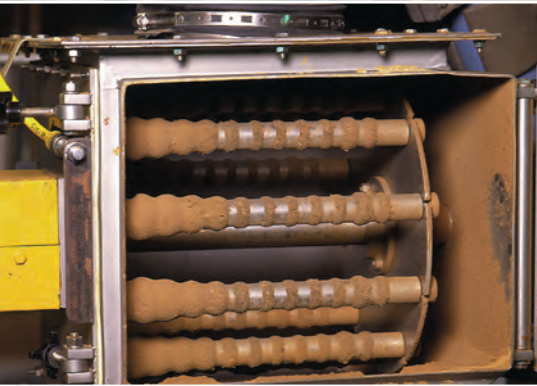


SB-200FF

# ERIEZ



ERIEZ®

# Grate Magnets

TUBE MAGNETS • GRATE MAGNETS • GRATES-IN-HOUSING • ROTA-GRATE®





*Selecting the proper magnetic separator requires many considerations including flow rates, material density and targeted purity level. Whether your product is dry or moist, fine or clumpy, hard to reach or continuously operating, Eriez offers a magnetic separator for your application.*



# Table of Contents

*Magnet Strength Options & Applications* pages..... 4-5

*Tube Magnets* page..... 6



*Grate Magnets* pages..... 7-10

P-Grate

BA-Grate

Wing/Drawer Grates



*Grates-In-Housing* pages.... 11-19

Standard Grate-In-Housing

Easy-to-Clean Grate-In-Housing

Easy-to-Clean DSC Grate-In-Housing

Easy-to-Clean DSC Automated Grate-In-Housing

Easy-to-Clean Automated Grate-In-Housing

Self-Cleaning Grate-In-Housing

Round Spout Separator Grate-In-Housing

PM Grate-In-Housing

Aftermarket PM (Rare Earth) Drawer Magnet



*Rota-Grate®* pages.... 20-22

Rota-Grate

Rota-Grate In-Housing - Removable Tube Assembly

Self-Cleaning Rota-Grate



# MAGNET STRENGTH OPTIONS

## Ceramic

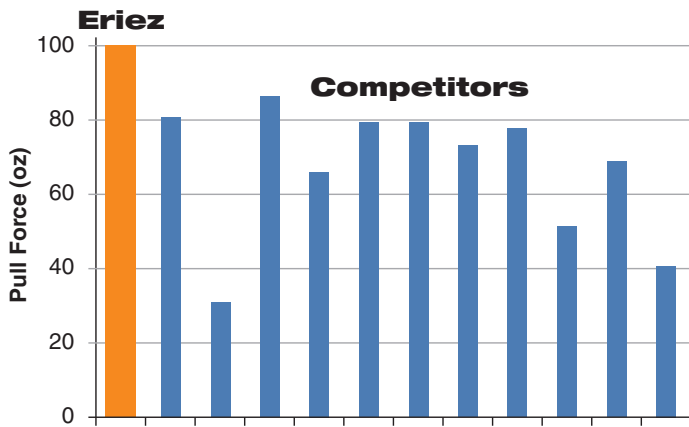
Essential protection from tramp metals that can damage downstream equipment.

## Rare Earth

High-strength rare earth separators are extensively used by food, chemical and pharmaceutical processors requiring high levels of product purity.

## Xtreme™ RE7 Rare Earth

The ultimate in process purity combines the finest materials and construction techniques with the industry's most powerful rare earth magnetic circuits.



# PULL TEST KIT

Eriez offers two different Pull Test Kit options which are identical except for the scale provided: a kit with a mechanical scale and a kit with a digital scale. The digital scale is recommended for industries that require calibrated scale certification for auditor purposes.

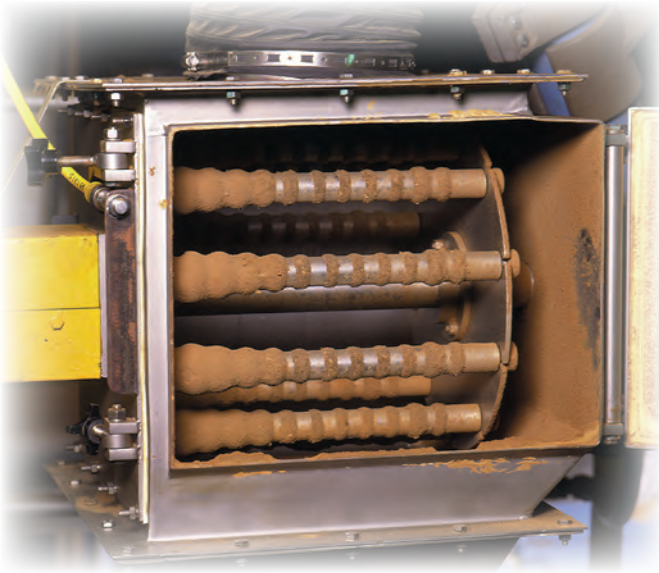


Standard Mechanical Scale



Digital Calibrated Scale

# Applications



## PRODUCTION OF COCOA

Fine iron contaminant clings to each tube in this magnetic Rota-Grate®, which has just been opened for inspection and cleaning.



## GRAIN MILL

A gravity flow Grate-In-Housing magnetic separator removes tramp iron contaminants from material flow.



## FROZEN FOODS

Better Baked Foods, maker of frozen pizza, installed a high power, rare earth Eriez P-Grate magnet to ensure no metal contaminants pass through their diced toppings pneumatic conveyor line.



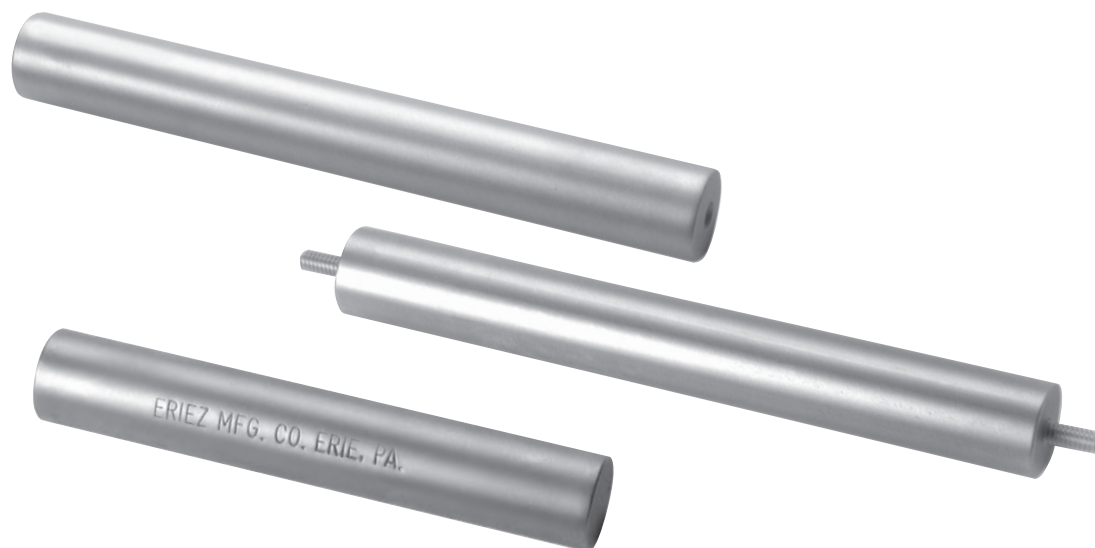
## RAIL LOADING

Primary ferrous removal from grain being unloaded off railcars.





# Tube Magnets



Individual magnetic tubes can be used to remove ferrous contaminants from liquids in tanks, as a quality control check of dry bulk materials and in many other ways where a powerful, portable magnetic power source is needed. All magnetic tubes are available with 1/4-20 UNC drilled and tapped end plugs.

## AVAILABLE IN:

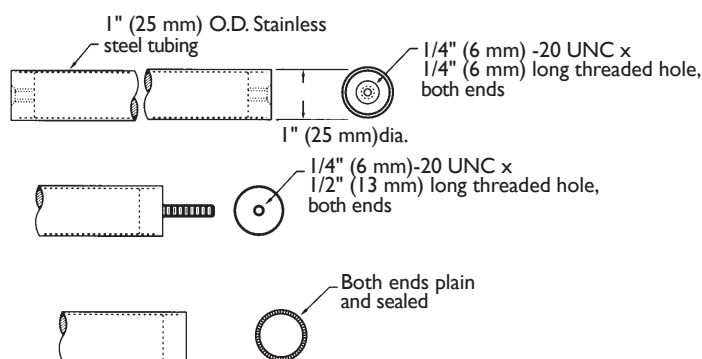
- Ceramic
- Rare Earth
- Xtreme Rare Earth

## FEATURES:

- Continuously welded
- 316L stainless steel
- Glass bead surface finish
- Rare Earth and Xtreme Rare Earth Magnet Circuits for temperatures up to 150°F (65.5°C)
- Custom lengths available

Length		Ceramic	Rare Earth	RE7 Xtreme Rare Earth
in	mm	Part No. (Weight lbs/kgs)	Part No. (Weight lbs/kgs)	Part No.
4	102	135708P (0.7/0.32)	126734P (0.8/0.36)	150571
6	152	133640P (1.0/0.45)	132640P (1.2/0.54)	150561
8	203	133642P (1.3/0.59)	126725P (1.7/0.77)	150572
10	254	133644P (1.7/0.77)	126728P (2.2/1.00)	150573
12	305	133646P (2.0/0.91)	126727P (2.6/1.18)	150563
14	356	133648P (2.3/1.04)	133567P (3.0/1.36)	150574
16	406	134057P (2.6/1.18)	130919P (3.4/1.54)	150575
18	457	134059P (2.9/1.32)	130920P (3.9/1.77)	150565
20	508	135709P (3.2/1.45)	140820P (4.3/1.95)	150576
22	559	135710P (3.5/1.59)	135684P (4.7/2.13)	150577
24	610	140764P (3.8/1.72)	126748P (5.1/2.31)	150578

## DIMENSIONS:



# Grate Magnets



## SQUARE & RECTANGULAR

Square and rectangular Grate Magnets remove ferrous contamination in hoppers, chutes, floor openings and other areas where free flowing materials are present. These grate magnets are also constructed to fit square and odd-shaped hoppers. The all-stainless steel unit is installed by simply placing the grate in the hopper with the ends of the magnetic tubes or tie bars resting against the sides.

### AVAILABLE IN:

- Ceramic
- Rare Earth
- Xtreme Rare Earth

### FEATURES:

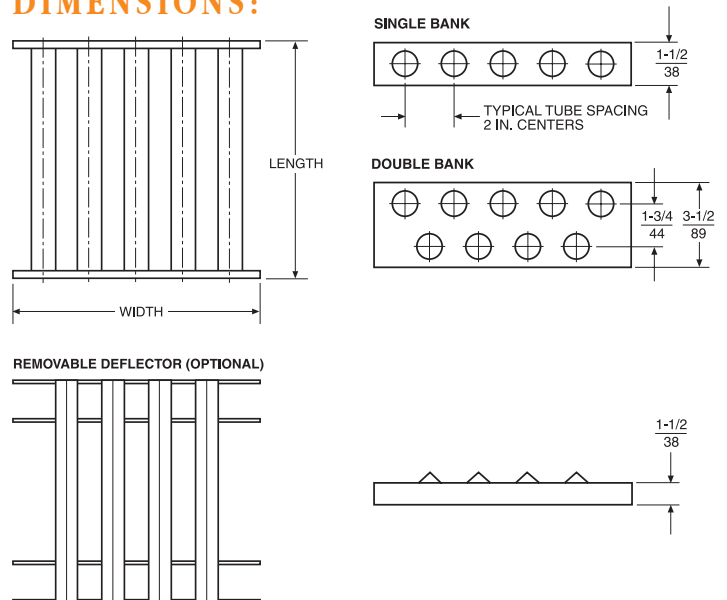
- All stainless steel construction
- 1-inch (25 mm) dia. tubes on 2-inch (51 mm) centers
- Glass bead surface finish
- Sanitary construction available
- 150°F (65.5°C) Max Temp (Rare Earth and Xtreme Rare Earth)
- Custom sizes and designs available



## ROUND

Round Grate Magnets remove ferrous contamination in hoppers, chutes, floor openings and other areas where free flowing materials are present. These round grate magnets are constructed to fit round processing lines or hoppers.

### DIMENSIONS:



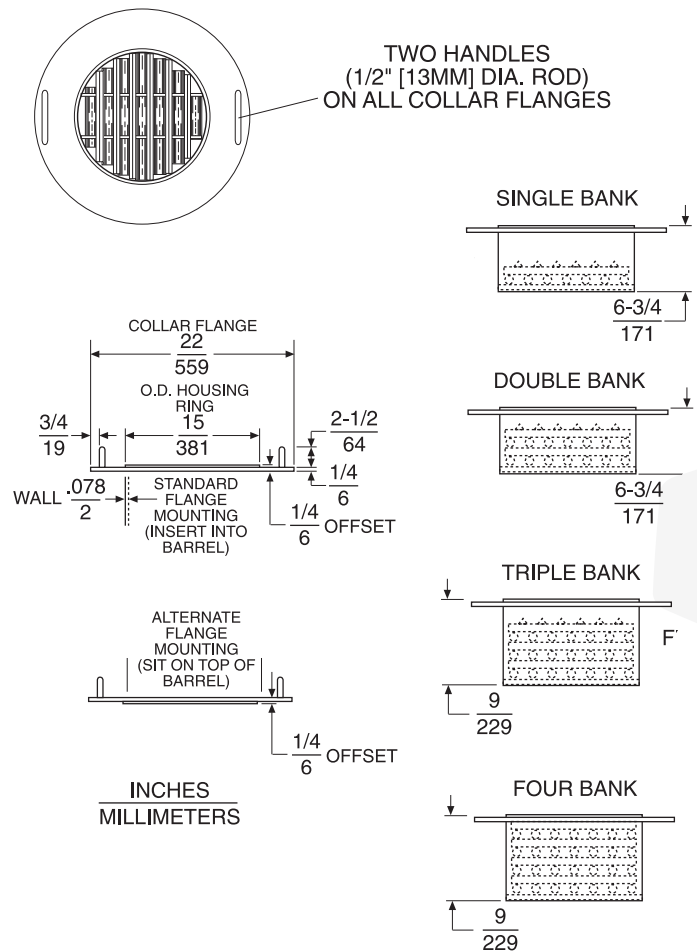
# BA (Barrel Adapter) Grates



Simple, cost effective magnet assembly incorporates Ceramic or Rare Earth Tube magnets into a grate assembly for fiber drum installation.

Typical units include a 15 inch (381 mm) diameter grate within a steel housing. Optional features include deflectors to prevent product from flushing through the grate assembly, sanitary finishes for food or pharmaceutical applications, multiple magnet row assemblies depending upon specific separation efficiency requirements, handles and other customer specified installation attachments.

## DIMENSIONS:



## AVAILABLE IN:

- Ceramic
- Rare Earth
- Xtreme Rare Earth

## FEATURES:

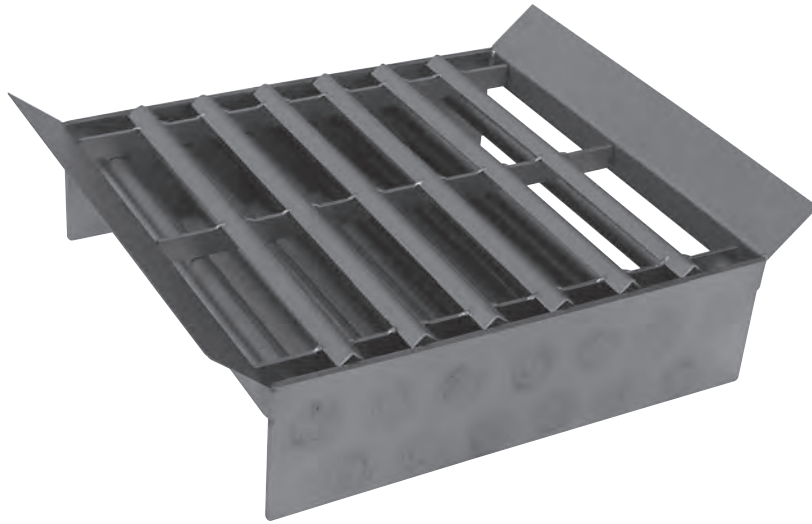
- A portable separator used on barrels and bulk containers
- Standard construction includes stainless steel tubes with mild steel frame, flange and handles
- Handles mounted to the collar enable transfer of the separator from one barrel to another
- 1/4-20 tapped end plugs
- Fit in or on standard barrels 15-1/2, 17 or 20-inches (394, 432 or 508mm) in diameter
- Can incorporate from one to four banks of 1" (25 mm) diameter magnetic tubes

## TWO MODELS AVAILABLE:

- TBA - For tramp iron removal (large pieces of iron), with magnetic tubes on 2" (51mm) centers
- FBA - Best separation of fine iron contaminants, with tubes on 1-1/2" (38mm) centers



# Wing Grates



This separator provides “final magnetic action” on bulk foods, chemicals, pharmaceuticals, etc, being packaged in boxes or similar type containers.

## AVAILABLE IN:

- Ceramic
- Rare Earth
- Xtreme Rare Earth

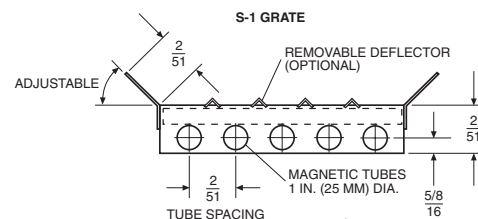
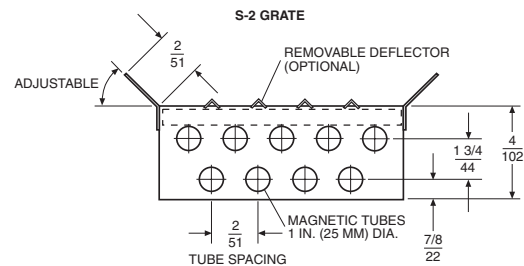
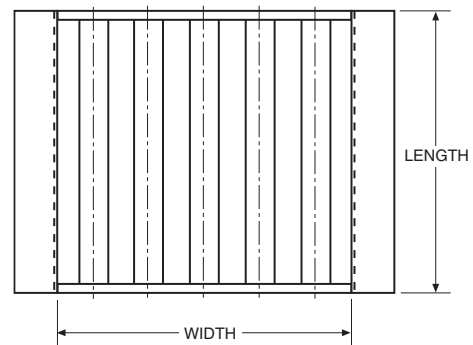
## FEATURES:

- 1" (25mm) diameter stainless steel tubes spaced at 2" (51mm) centers
- Wings can be bent to fit openings which vary from our standard sizes
- Double-bank gives added protection in installations where iron contamination is particularly acute
- Dimensions are flexible so special sizes can be furnished

## SUGGESTED INSTALLATIONS:

- Units can be quickly put to work in hoppers and floor openings
- No bolting necessary. Units can be lifted out for easy cleaning

## DIMENSIONS:



# Drawer Grates



Drawer grates have been specifically designed for use in closed chutes and ducts. They come complete with handles. These models are easily inspected and cleaned by sliding the assembly from an opening made inside of the housing.

## FEATURES:

- Similar to Wing Grates, but with drawer front, handle and latch
- Easy installation
- Single row options available

## AVAILABLE IN:

- Ceramic
- Rare Earth
- Xtreme Rare Earth

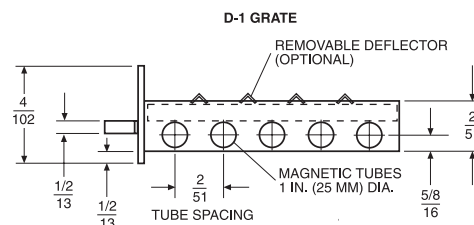
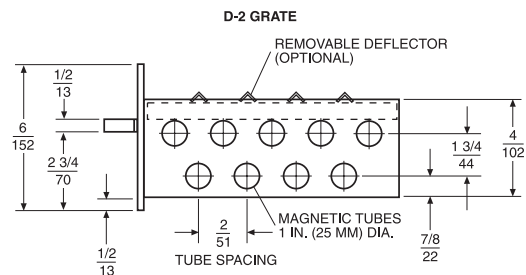
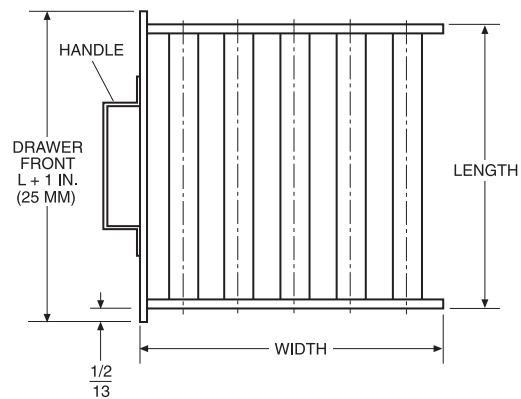
## WIDTHS AVAILABLE:

- Any width: 2-1/2" (64 mm) through 36-1/2" (927 mm) in 2" (51 mm) increments
- Any length: 4" (102 mm) through 36" (914 mm) in 4" (102 mm) increments

## WEIGHTS AVAILABLE:

- D-1: Net Weight 25 lb/sq ft (122kg/sq m)
- D-2 : Net Weight 35 lb/sq ft (171kg/sq m)

## DIMENSIONS:





## Standard GRATE-IN-HOUSING



Tramp and fine iron removal in enclosed flow lines or at screen discharges is simplified by Eriez multi-bank units built into convenient housings. These separators have a slide-bolt door front which makes the magnetic tubes readily accessible for cleaning.

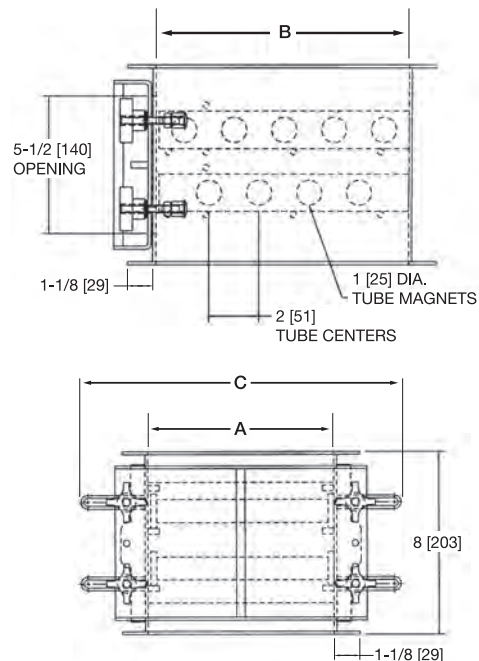
### AVAILABLE IN:

- Ceramic
- Rare Earth
- Xtreme Rare Earth

### FEATURES:

- 2 rows of staggered magnets
- Removable door with plastic knobs
- Mild steel housing (Ceramic only)
- All Rare Earth comes in a stainless steel housing and is optional for ceramic magnets
- Sanitary construction is optional
- 150°F (65.5°C) Max Temp (Rare Earth)

### DIMENSIONS:



Tube Size	Grate Size	A		B		C		Weight	
		in	mm	in	mm	in	mm	lb	kg
3	4 1/8 x 6 1/8	4-1/8	105	6-1/8	156	10	254	20	9
4	6 1/8 x 8 1/8	6-1/8	156	8-1/8	206	12	305	25	11
6	8 1/8 x 10 1/8	8-1/8	206	10-1/8	257	14	356	30	14
8	10 1/8 x 12 1/8	10-1/8	257	12-1/8	306	16	406	50	23
10	12 1/8 x 14 1/8	12-1/8	308	14-1/8	359	18	457	61	28
12	14 1/8 x 16 1/8	14-1/8	359	16-1/8	410	20	508	80	36
14	16 1/8 x 18 1/8	16-1/8	410	18-1/8	460	22	559	100	45

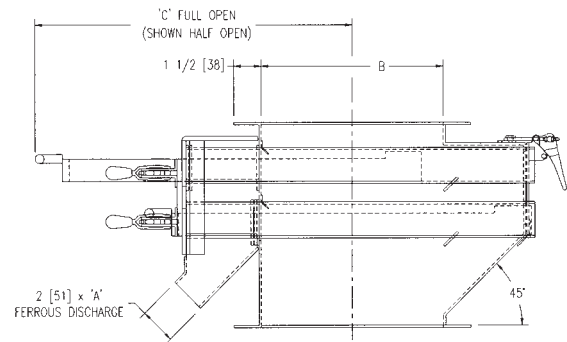
Adapters are available with the housings as optional equipment.

# Easy-to-Clean GRATE-IN-HOUSING



Eriez Easy-To-Clean Model TGH-2 Drawer Grate-In-Housing uses a powerful rare earth magnet circuit to provide superior separation performance on fine tramp metal contamination. The Easy-to-Clean Grate-In-Housing provides for the quick removal of accumulated fine iron contamination. Simply slide the individual door fronts from the housing and the accumulated metal contamination is scraped from the tube and discharges out the front of the housing. The cleaning cycle is reduced to only a few seconds with this push-pull operation.

## DIMENSIONS:

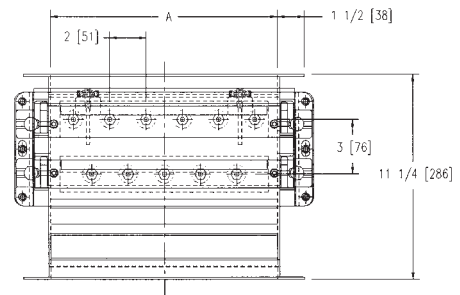


## AVAILABLE IN:

- Rare Earth
- Xtreme Rare Earth

## FEATURES:

- 2 rows of staggered magnets
- Stainless steel tube scrapers
- Metal contaminant discharge chute
- All stainless steel construction
- Glass bead surface finish
- Easy push-pull operation
- 150°F (65.5°C) Max temperature



## SUGGESTED INSTALLATIONS:

- Ideal for applications where the process is stopped for grate magnet cleaning



## Easy-to-Clean

DSC  
GRATE-IN-HOUSING



Eriez Automated and Manual DSC Easy-to-Clean Grate-In-Housings are rugged tramp iron separators. With Eriez' single-skinned tube design, the iron is removed with an A286 stainless steel split ring (or Teflon ring for food products) sandwiched between a pressure plate and backing plate. As both banks cycle, tramp iron is stripped from the tubes outside the product zone. The tramp metal is then discharged through a small chute at the front of the housing. The traditional cleaning cycle is reduced to a simple push-pull operation.

### AVAILABLE IN:

- Rare Earth and Xtreme Rare Earth

### FEATURES:

- Dust Tight Construction (standard)
- Standard sanitary housing interior
- Convertible Design – Upgradeable by converting from manual clean to automatic
- Discharge chute reduces ferrous product accumulation
- Increased tube length for better tramp metal stripping
- 316L stainless steel tubes and 304 stainless steel housing
- Can be furnished with all ceramic tubes, all rare earth tubes, or a combination of one bank ceramic and one bank rare earth

# Easy-to-Clean

## DSC AUTOMATED GRATE-IN-HOUSING



Some customers find their process has excessive tramp iron or the Grate-In-Housing is installed in a difficult to access location, requiring an upgrade to a self-cleaning model.

The DSC's "convertible" feature allows customers to purchase a Conversion Kit and use hand tools to bolt on upgrades to making the unit an automated cleaner. The conversion kits requires no cutting and no welding.

The conversion kit includes a NEMA 12 push button control panel with air prep and regulation. Remote control input options are available as well.

### FEATURES:

- **The Automated Easy-to-Clean option is a completely self cleaning assembly**
- **Enlarged separation area ensures positive tramp metal removal**
- **Same construction as manual Easy-to-Clean DSC Grate-In-Housing**
- **Easy "Bolt On" accessory**
- **No welding or cutting required**



# Easy-to-Clean

## GRATE-IN-HOUSING AUTOMATED MODEL

# ERIEZ



Eriez Automated Easy-to-Clean Grate-In-Housing combines the superior strength of Rare Earth magnet tubes with the simplicity of operation associated with opening a drawer.

Eriez' single skin tubes are housed in a dust-tight all stainless steel housing which is easily installed in square, rectangular or round piping. Unique stripping bushings remove the accumulated ferrous particles as the banks are cycled from the housing. As it is stripped off each tube, the iron contamination falls down the ferrous discharge chute, located outside of the product flow area.

These units are very effective in removing fine particle ferrous contamination (up to 1/2 inch [13 mm]) from many dry free-flowing products under gravity flow.

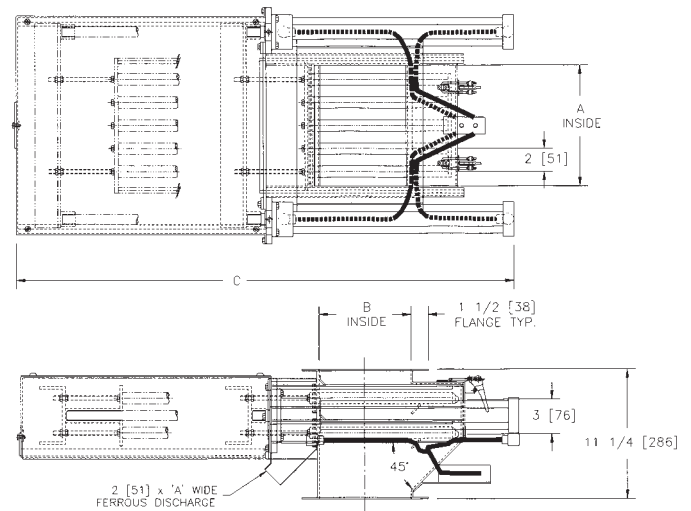
### AVAILABLE IN:

- Ceramic
- Rare Earth
- Xtreme Rare Earth

### FEATURES:

- Stainless steel housing with safety guard for moving parts
- Automated tramp metal removal at the push of a button
- Remote mounting panel with filter regulator, solenoid valve and NEMA 12 push button control

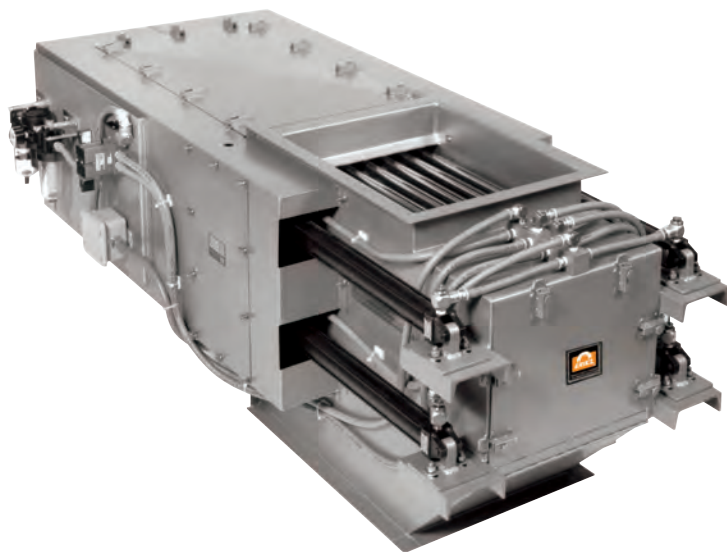
### DIMENSIONS:



Standard Unit Size	A		B		C		Weight	
	in	mm	in	mm	in	mm	lb	kg
6-1/2 x 4	6-1/2	165	4	101	35-1/2	902	106	48
8-1/2 x 6	8-1/2	216	6	152	39-1/2	1003	129	59
10-1/2 x 8	10-1/2	267	8	203	43-1/2	1105	152	69
12-1/2 x 10	12-1/2	318	10	254	47-1/2	1207	175	79
14-1/2 x 12	14-1/2	368	12	305	51-1/2	1308	198	90
*16-1/2 x 14	16-1/2	419	14	356	55-1/2	1410	221	100
*18-1/2 x 16	18-1/2	470	16	406	60-1/2	1536	244	111
*20-1/2 x 18	20-1/2	521	18	457	64-1/2	1638	267	121
*22-1/2 x 20	22-1/2	572	20	508	68-1/2	1739	290	132
*24-1/2 x 22	24-1/2	622	22	559	72-1/2	1842	313	142
*26-1/2 x 24	26-1/2	673	26	660	76-1/2	1943	336	152
*28-1/2 x 26	28-1/2	724	28	711	80-1/2	2045	359	163

\*With center divider.

# Self-Cleaning GRATE-IN-HOUSING



Eriez Self-Cleaning Model GH-12 Grate-In-Housing offers the superior strength of Rare Earth magnets with a completely automated self cleaning system to remove fine tramp iron contamination. The GH-12 cycles each grate row independently so at least one row always remains in the product flow.

Tubes are housed in a dust-tight all stainless steel housing which is easily installed in square, rectangular or round piping. Unique stripping bushings remove the accumulated ferrous particles as the banks are cycled from the housing. As it is stripped off each tube, the iron contamination falls down the ferrous discharge chute, located outside of the product flow area.

These units are very effective in removing fine particle ferrous contamination (up to 1/4 inch [6 mm]) from many dry free-flowing products under gravity flow.

## AVAILABLE IN:

- Ceramic
- Rare Earth
- Xtreme Rare Earth

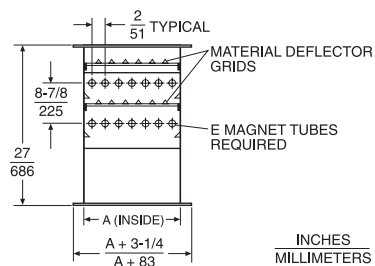
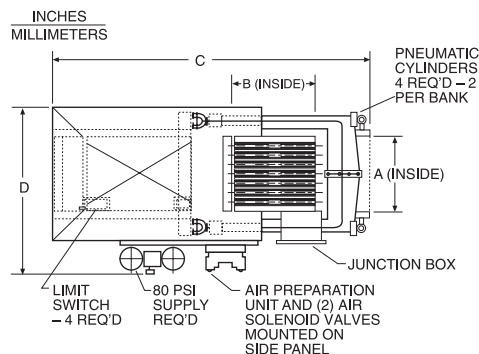
## FEATURES:

- Automatic tramp metal removal of individual magnet rows
- Solid state NEMA 12 control with timer to adjust automatic cleaning frequency
- Independent cleaning for each magnet row

## SUGGESTED INSTALLATIONS:

- Designed for completely automated operation
- The GH-12 is ideal for applications where the process is continuous and grate cleaning occurs during operation

## DIMENSIONS:



Normal Size		A		B		C		D		E		Shipping Weight	
in	mm	in	mm	in	mm	in	mm	in	mm	#	lb	kg	
14 x 12	356 x 305	14	356	12	305	56	1422	32	813	14	736	334	
16 x 20	407 x 508	16	407	20	508	72	1829	34	864	16	899	408	
20 x 20	508 x 508	20	508	20	508	72	1829	38	965	20	985	447	

Special sizes and designs are available upon request.

## Round Spout Separators



Easy-To-Clean Round Spout Separator

Round Spout Separators (RSS) use permanent magnetic grate magnets to remove ferrous contamination in hoppers, chutes, floor openings and other areas where free flowing materials are present. These separators are also constructed to fit round chutes and discharges. Installation is inline and low profile.

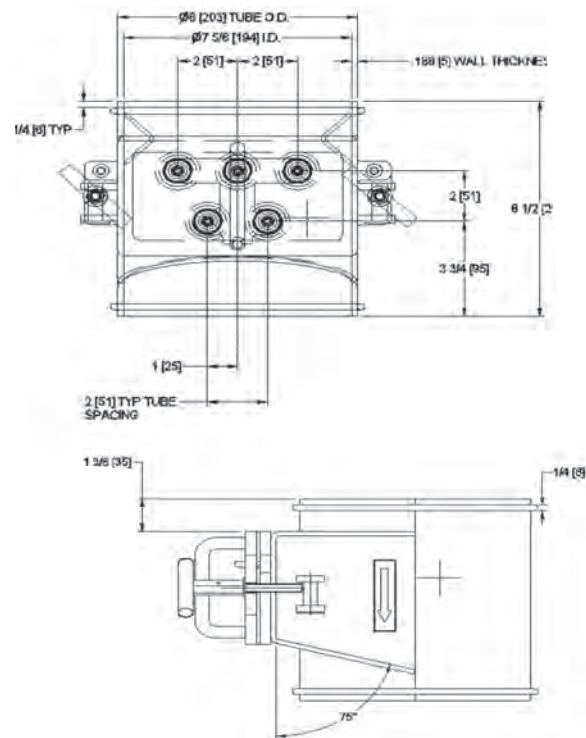
### AVAILABLE IN:

- Ceramic
- Rare Earth
- Xtreme Rare Earth

### FEATURES:

- 304 stainless steel construction
- Swing-bolt door for easy access to magnets
- Glass bead surface finish
- Dust-tight construction
- Manual easy-to-clean design available
- Automatic easy-to-clean design available
- Sanitary construction (optional)
- High-temp options available

### DIMENSIONS:



Round Spout Separator Diameter	Number of Tubes – Top Row	Number of Tubes – Bottom Row
6" (152 mm)	3 Tubes	2 Tubes
8" (203 mm)	3 Tubes	2 Tubes
10" (254 mm)	4 Tubes	3 Tubes
12" (305 mm)	5 Tubes	4 Tubes
14" (356 mm)	6 Tubes	5 Tubes
16" (407 mm)	7 Tubes	6 Tubes



# PM GRATE-IN-HOUSING



The PM Grate-In-Housing removes ferrous metal from raw materials to prevent costly equipment damage and downtime, as well as improve product purity. It is ideal for removing ferrous contamination from plastic pellets, flake and regrind prior to the injection moulding machine, extruder or compounding screw. It also removes fine ferrous material that can plug tiny valve gates and screens, or damage calendar rolls.

## AVAILABLE IN:

- Rare Earth only

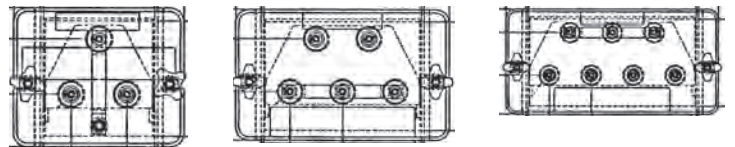
## FEATURES:

- Two banks of Rare Earth permanent magnets
- Stainless steel housing
- Slide gate with a release handle
- 3 standard housing sizes
- Custom inlet and outlet sizes
- Door with quick release knobs
- For temperatures up to 250°F (121.1°C)

## SUGGESTED INSTALLATIONS:

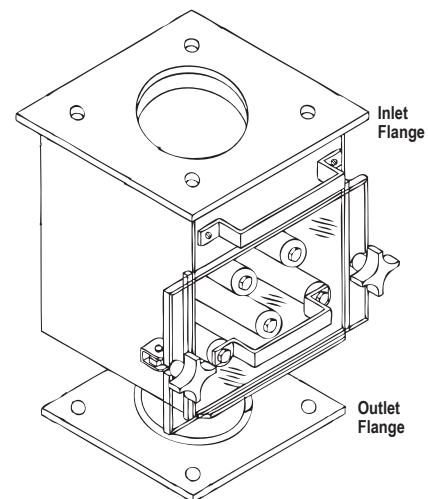
- Above injection molding machines, plastic extruders, and compounding equipment

## STANDARD HOUSING OPTIONS:



## MOUNTING FLANGE OPTIONS:

- Through holes, tapped holes, and threaded studs
- Top and bottom flanges can be different sizes and have different hole drills



## Aftermarket PM RARE EARTH DRAWER MAGNET



Designed for the plastics industry, Eriez' Model PM aftermarket Rare Earth Drawer Magnet assembly will improve profitability by preventing costly product defects, plugged valve gates, machine damage and downtime. These powerful Rare Earth Grates simply slide into most existing drawer magnet housings, immediately improving separation performance. Four sizes are available and they can even be used with mild steel housings.

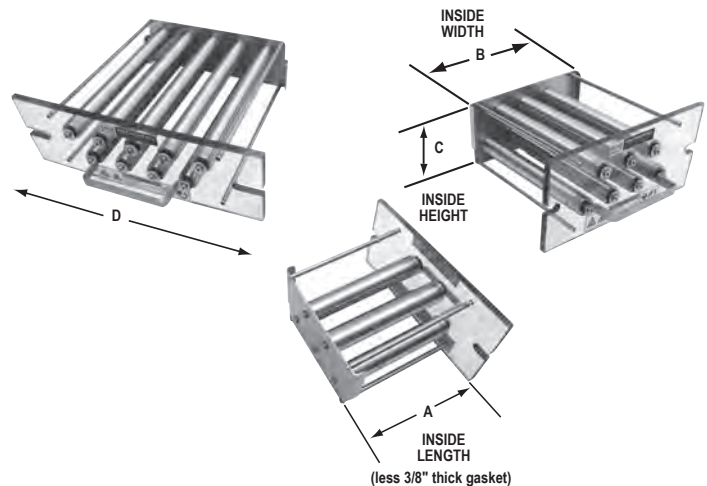
### AVAILABLE IN:

- Rare Earth only

### FEATURES:

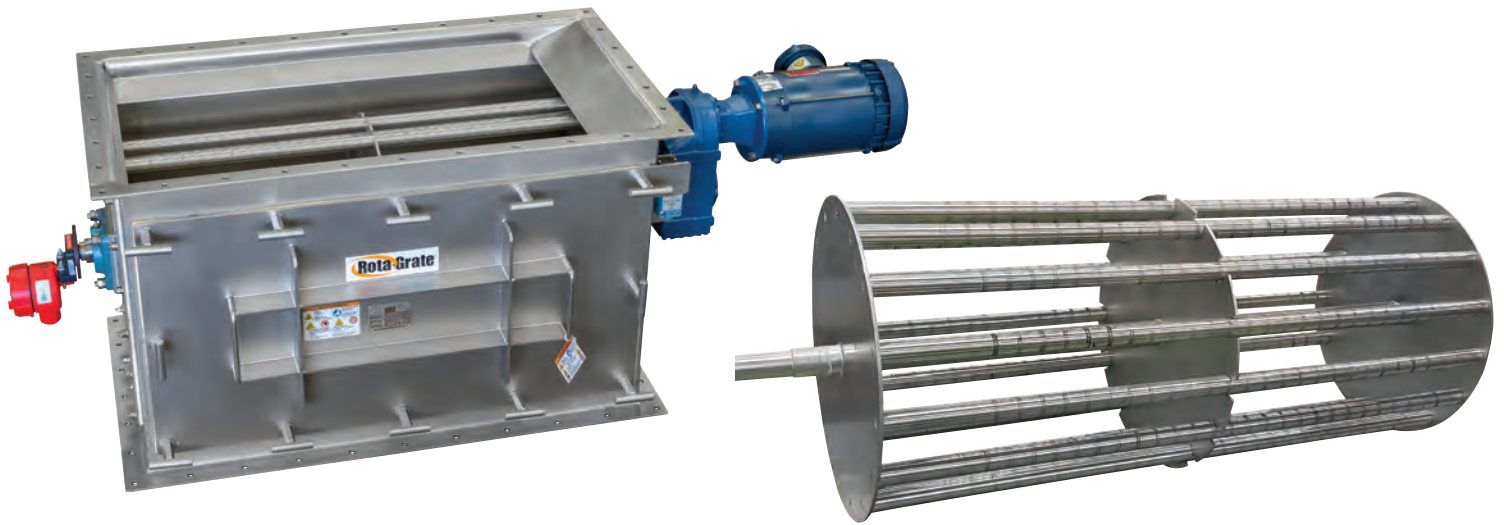
- PM Rare Earth magnets are up to 3x stronger than other Rare Earth
- Encased in 316 Stainless Steel Tubes
- Clear drawer front for easy inspection of magnets
- Improved tube spacing for superior tramp metal recovery
- Ability to capture and hold fine and weakly magnetic particles
- Magnets handle resin temperature up to 250°F (121.1°C)
- Adhesive backed gaskets are included for customer installation on the door or housing
- Compatible with mild steel housing due to unique guide rod design
- Slots are 1/2" (13 mm) wide by 1-1/16" (27 mm) overall length

### DIMENSIONS:



Nominal Housing Size		Qty. Magnet Tubes	A		B		C		D	
in	mm		in	mm	in	mm	in	mm	in	mm
4 x 4	102 x 102	3	4-3/16	106	3-13/16	97	3-7/8	98	6-1/2	165
6 x 6	153 x 153	5	6-3/16	157	5-13/16	148	3-7/8	98	8-1/2	216
8 x 8	203 x 203	7	8-3/16	208	7-13/16	198	3-7/8	98	10-1/2	267
10 x 10	254 x 254	9	10-3/16	259	9-13/16	249	3-7/8	98	12-1/2	318

# Rota-Grate®



Eriez Rota-Grates are designed to remove large pieces of unwanted iron as well as minute ferrous particles from material flows that tend to clog and bridge when passed through small openings. This dual action unit rotates powerful magnetic tubes through the material. The magnetic action attracts and holds the unwanted iron and the rotary action prevents the material flow from packing and plugging the processing line.

## AVAILABLE IN:

- Ceramic
- Rare Earth
- Xtreme Rare Earth

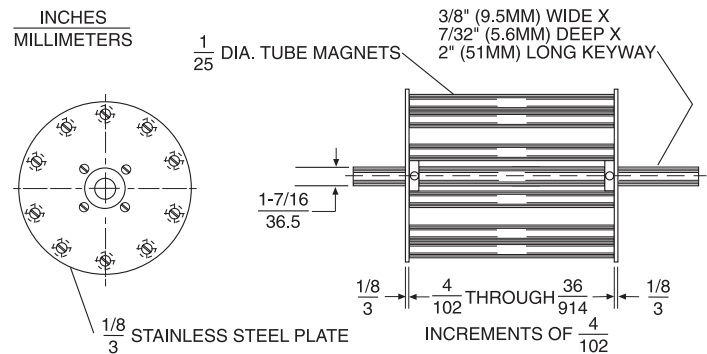
## FEATURES:

- Provide magnetic protection without restricting and clogging material flow
- Rugged construction
- Magnetic elements completely encased in stainless steel and fastened to stainless steel end plates
- Bronze hubs and steel shaft, for added durability

## SUGGESTED INSTALLATIONS:

- At the discharge of either open or enclosed chutes
- Enclosed within housings in open or closed duct systems
- They are built complete with a shaft with ample extensions for a flange type or pillow block type bearings as well as for the drive pulley

## DIMENSIONS:



## SIZE & WEIGHT

Standard Unit Width		Diameter		Weight		Larger Sizes - Follow Ratio
in	mm	in	mm	lb	kg	
4	102	12	305	25	11	Add 9 lb (4kg) for each additional 4" (102 mm) of width
8	203	16	406	40	18	Add 12 lb (5kg) for each additional 4" (102 mm) of width
12	305	22	559	70	32	Add 16 lb (7kg) for each additional 4" (102 mm) of width

Available in 24 sizes - widths in 4" (102mm) increments.





Same design as the Rota-Grate In-Housing, with removable tube magnet assemblies. This greatly speeds cleaning during operation.

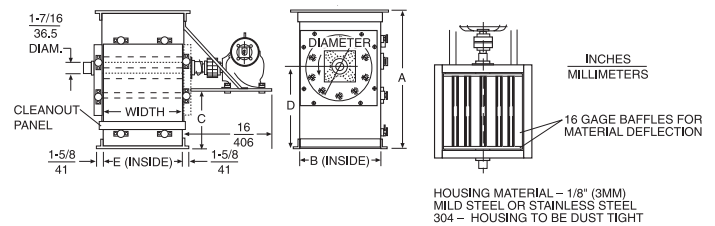
### AVAILABLE IN:

- Ceramic
- Rare Earth
- Xtreme Rare Earth

### FEATURES:

- Individual Tube Magnets can be removed one-by-one for easy cleaning
- Low profile housing design
- SEW Euro drive motor permits rotating of reel by hand to aid in the cleaning process
- Swing-bolt, hinged door with “T”-handles for easy access

### DIMENSIONS:



Diameter		A		B		C		D		E	
in	mm	in	mm	in	mm	in	mm	in	mm	in	mm
12	305	24	610	14	356	10-1/8	257	14	356	12-7/8	327
16	406	28	711	18	457	12-1/8	308	16	406	16-7/8	428
22	559	32	813	24	610	15-1/8	384	19	483	20-7/8	530

### SPECIFICATIONS:

Width	12" Diameter (305mm)				16" Diameter (406mm)				22" Diameter (559 mm)				
	Weight		Volume To:		Weight		Volume To:		Weight		Volume To:		
in	mm	lb	kg	ft <sup>3</sup> /hr	m <sup>3</sup> /hr	lb	kg	ft <sup>3</sup> /hr	m <sup>3</sup> /hr	lb	kg	ft <sup>3</sup> /hr	m <sup>3</sup> /hr
4	102	78	35	200	6	-	-	-	-	-	-	-	-
8	203	102	46	400	11	112	51	550	16	-	-	-	-
12	305	118	54	600	17	131	59	825	23	165	75	1200	34
16	406	128	58	800	23	149	68	1100	31	187	85	1600	45
20	508	149	68	1000	28	169	77	1375	39	209	95	2000	57
24	610	165	75	1200	34	186	84	1650	47	231	105	2400	68
28	711	182	83	1400	40	208	94	1925	55	253	115	2800	79
32	813	197	89	1600	45	225	102	2200	62	275	125	3200	91

# Rota-Grate® SELF-CLEANING



The rotating tube assembly periodically cycles through a special tube cleaning wall that removes ferrous metal from the tube magnets outside the product flow. This design eliminates the need to clean each tube manually and greatly reduces the amount of time associated with cleaning.

Cleaning cycle is dependent on the amount of ferrous contamination in the system. The timer is adjustable for optimum separation performance.

## AVAILABLE IN:

- Ceramic
- Rare Earth
- Xtreme Rare Earth

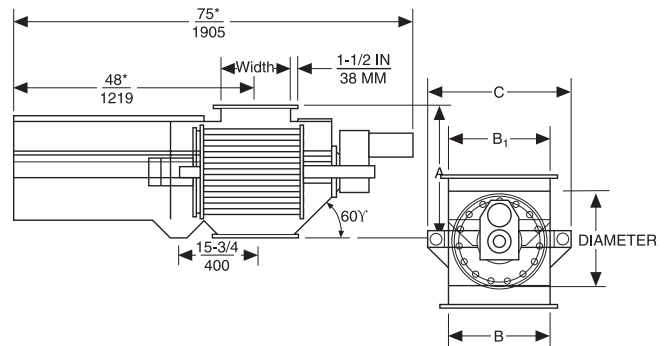
## FEATURES:

- Automatic air-operated unit retracts tube cage from product area during cleaning cycle
- Control includes programmable timer for optimum cleaning cycles
- All stainless steel housing
- 16 RPM gear motor

## SUGGESTED INSTALLATIONS:

- Ideal for remote installations and applications where routine cleaning is problematic

## DIMENSIONS:



Diameter		A		B		C	
in	mm	in	mm	in	mm	in	mm
12	305	23-1/4	590	14	356	18-3/4	476
16	406	27-1/4	692	18	457	22-3/4	578
22	559	33-1/4	844	24	610	28-3/4	730

Width		12" Diameter (305mm)				16" Diameter (406mm)				22" Diameter (559 mm)			
		Weight		Volume To:		Weight		Volume To:		Weight		Volume To:	
in	mm	lb	kg	ft³/hr	m³/hr	lb	kg	ft³/hr	m³/hr	lb	kg	ft³/hr	m³/hr
4	102	78	35	200	6	-	-	-	-	-	-	-	-
8	203	102	46	400	11	112	51	550	16	-	-	-	-
12	305	118	54	600	17	131	59	825	23	165	75	1200	34
16	406	128	58	800	23	149	68	1100	31	187	85	1600	45
20	508	149	68	1000	28	169	77	1375	39	209	95	2000	57
24	610	165	75	1200	34	186	84	1650	47	231	105	2400	68
28	711	182	83	1400	40	208	94	1925	55	253	115	2800	79
32	813	197	89	1600	45	225	102	2200	62	275	125	3200	91

**This page is intentionally left blank**





# ERIEZ

**GLOBAL LEADER IN SEPARATION TECHNOLOGIES**

**HEADQUARTERS**

2200 Asbury Road • Erie, PA 16506-1402 U.S.A.  
1-814-835-6000 • eriez@eriez.com • www.eriez.com



**AUSTRALIA**  
Epping, Victoria  
+61 3 8401 7400



**BRAZIL**  
Belo Horizonte, Minas Gerais  
55 31 3281 9108



**CANADA**  
Delta, British Columbia  
+1 604-952-2300



**CHILE**  
Las Condes, Santiago  
56 2 29523400



**CHINA**  
Qinhuangdao and Tianjin  
86-22-8390-4608



**GERMANY**  
Recklinghausen  
+49 (0)160 94179313



**INDIA**  
Athipet, Chennai  
91-044-2652-5000



**JAPAN**  
Urayasu, Chiba  
+81-47-354-6381



**MEXICO**  
Querétaro, Tlalnepantla  
52 555 321 9800



**PERÚ**  
Surco, Lima  
51 1 719 4150



**SOUTH AFRICA**  
Boksburg, Gauteng  
27-11-444-9160



**UNITED KINGDOM**  
Bedwas, Caerphilly  
44-29-2086-8501



**UNITED STATES**  
Erie, Pennsylvania  
1-814-835-6000



*Note: Some safety warning labels or guarding may have been removed before photographing this equipment.  
Eriez, Eriez Flotation and Eriez Magnetics are registered trademarks of Eriez Manufacturing Co, Erie, PA*